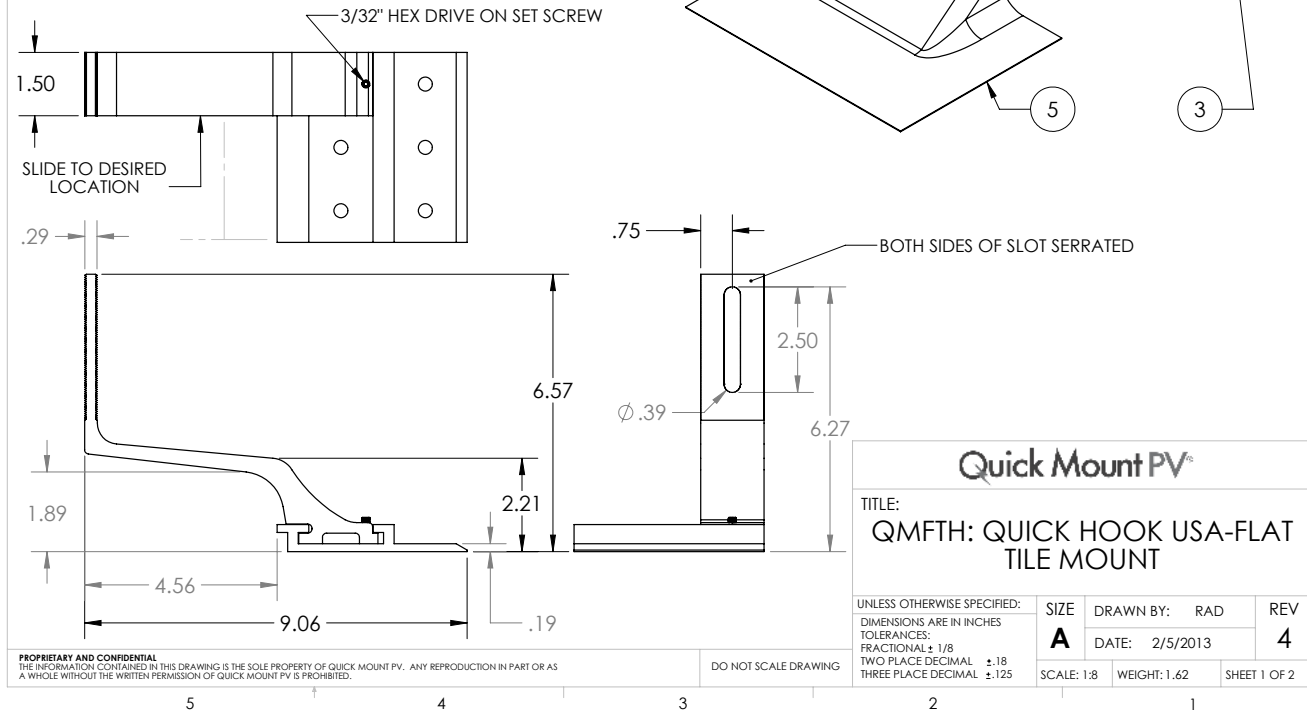
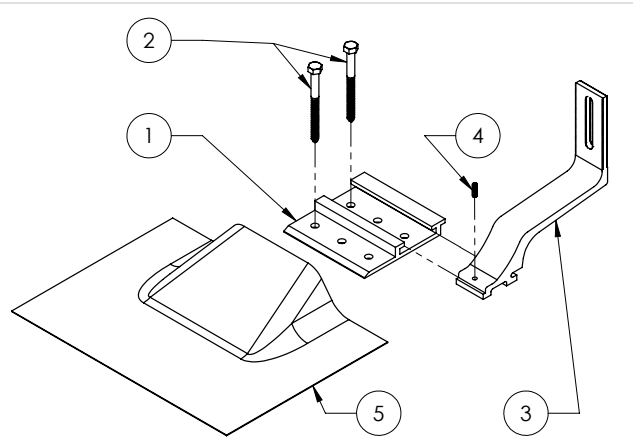


# Quick Hook® – Flat Tile Mount | QMFTH

ITEM NO.	DESCRIPTION	QTY.
1	BASE PLATE, QUICK HOOK USA, 4-1/2" WIDE - 6063-T6, MILL	1
2	LAG SCREW, HEX HEAD, 5/16" x 3-1/2", 18-8SS	2
3	QUICK HOOK USA, VERTICAL, 6061-T6, MILL	1
4	SET SCREW, HEX SOCKET, 10-32X5/8", 18-8 SS	1
5	SUBFLASHING, QUICK HOOK USA V2-4.5" BASE, 9" X 12" X .032"-3003-MILL	1



## Quick Hook USA Failure Test Results

Configuration	Source Document	Average Ultimate Load Capacities (lbf) in Douglas Fir			
		Pullout	Compression	Shear Parallel to Rafter	Shear Perpendicular to Rafter
<b>Centered:</b> All base plate sizes with hook positioned directly over the lag screws (see Appendix A & B of referenced report for test setup)	AME Report #112640C "Quick Hook USA-Flat Tile Mount" with 1.5 Base Plate  <i>This report shows results for Quick Hook USA, both Flat and Curved Tile models, when the hook is positioned directly over the lag screws</i>	876	685	1058	583
<b>Offset 4.5" Base Plate:</b> 4.5" wide base plate with hook positioned at opposite end of base plate from lag screws (see Appendix A & B of referenced report for test setup)	AME Report #112640C "Quick Hook USA-Curved Tile Mount with 4.5" Base Plate  <i>This report shows results for our Quick Hook USA-Flat Tile Mount</i>	1084	712	1219	532
<b>Offset 6" Base Plate:</b> 6" wide base plate with hook positioned at opposite end of base plate from lag screws (see Appendix A & B of referenced report for test setup)	AME Report #112640C "Quick Hook USA-Curved Tile Mount with 6" Base Plate  <i>This report shows results for our Quick Hook USA-Curved Tile Mount</i>	1246	692	1341	584

### Notes:

- 1) Thread must be embedded in a rafter or other structural roof member.
- 2) See IBC for required edge distances.

**IMPORTANT:** To maintain waterproofing of substrate it is important to make sure the aluminum sub-flashing is properly placed over the base plate and under the course of paper above. If the paper above does not reach, due to layout, place an additional piece of roofing paper over the sub-flashing and under the next course of paper above. (See instructions on reverse)



# Quick Hook<sup>®</sup>

## Flat Tile Mounting Instructions - Rafter Installation

The Quick Hook is designed for flat and S-shaped curved tiles. Requires roofing battens.

**Installation Tools Required:** stud finder, tape measure, utility knife, 3/32" hex key, drill with 7/32" bit, impact drill with 1/2" socket, caulking gun, one tube of sealant compatible with roofing materials, roofing bar, hand broom, stapler, 18" wide piece of underlayment or materials for 3-course method during deck flashing installation.

**WARNING:** Quick Mount PV products are NOT designed and should NOT be used for anchoring fall protection equipment.



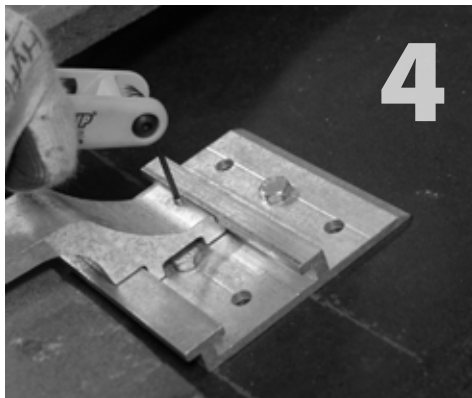
1 Remove the tile at selected location of the mount. Locate and mark the center of the rafter.



2 Rest the base plate over center of rafter and mark center of holes. Drill two 7/32" pilot holes and fill with sealant compatible with roofing material.



3 Drive lag screws into rafter through the two holes to a solid, snug fit. DO NOT over tighten lag screws, this may compromise their holding strength.



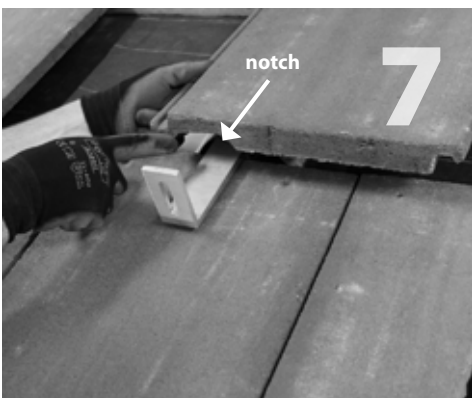
4 Slide hook into position on base plate. The hook must not overhang the side edges of the base plate. Tighten set screw with hex key.



5 Carefully clean the underlayment, then apply bead of compatible sealant in the shape of an upside down U on the backside of the sub-flashing and install flashing over mount. Fasten sub-flashing to deck with one roofing nail in each top corner. Do not nail bottom corners.



6 Proceed with weatherproofing using three-course method or lapped paper method.\* When using paper method, cut a piece of underlayment 18" wide to slide under the course above and over the sub-flashing. If course above is too high, you must use additional underlayment to ensure proper overlapping.



7 Replace the tile above the hook. If necessary, notch the bottom of the tile to make space for the raised hook.



8 Bolt the side-mounted rail of your choice to the hook, using the rail manufacturer's hardware.

You are now ready for the rack of your choice. Follow all the directions of the rack manufacturer as well as the module manufacturer.

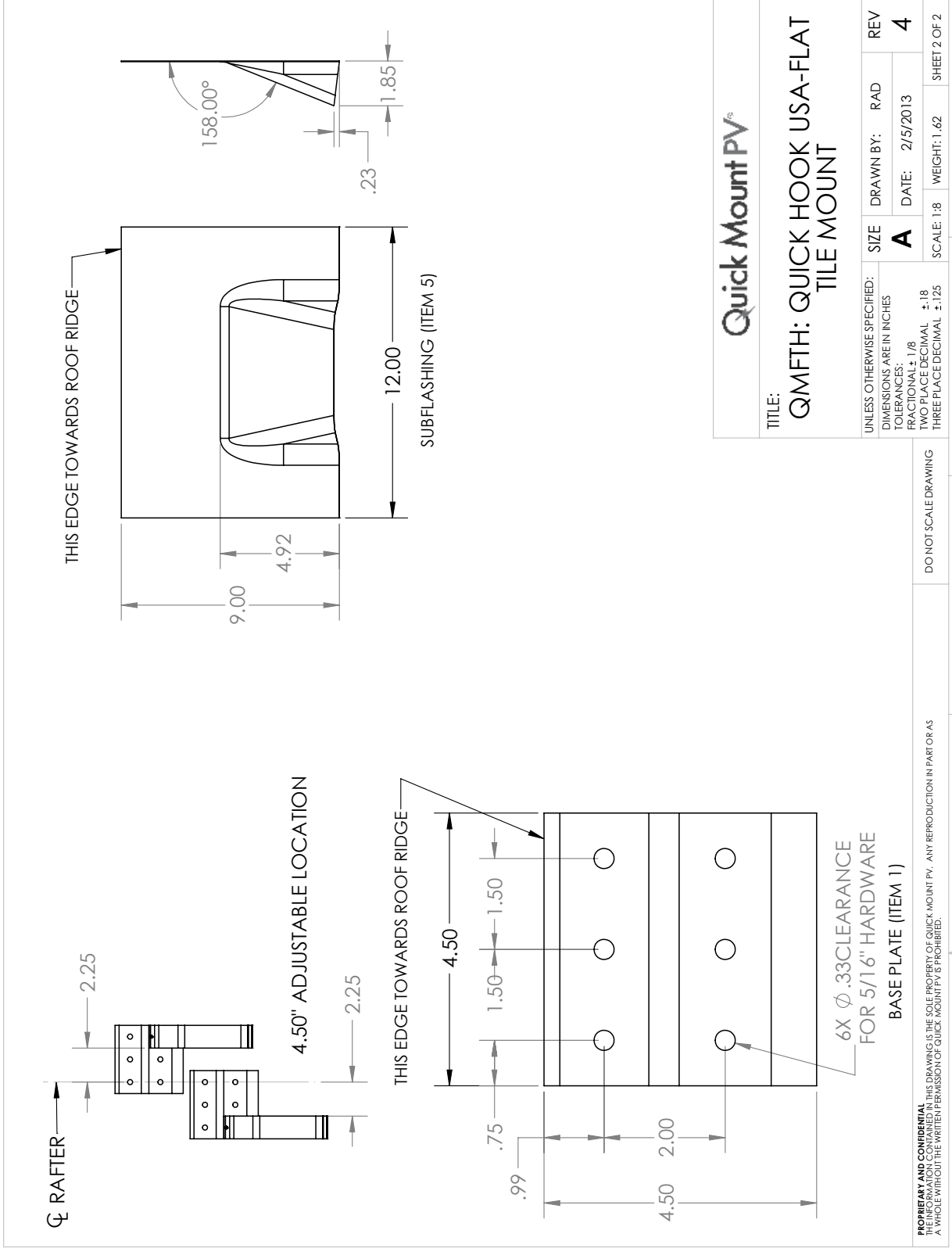
All roofing manufacturers' written instructions must also be followed by anyone modifying a roof system. Please consult the roof manufacturer's specs and instructions prior to touching the roof.

\* For more details on underlayment waterproofing please visit: <http://www.quickmountpv.com/tile-waterproofing>

# Quick Hook®

## Flat Tile Mount | QMFTH

### Additional Dimensions



PROPRIETARY AND CONFIDENTIAL  
 THE INFORMATION CONTAINED IN THIS DRAWING IS THE SOLE PROPERTY OF QUICK MOUNT PV. ANY REPRODUCTION IN PART OR AS A WHOLE WITHOUT THE WRITTEN PERMISSION OF QUICK MOUNT PV IS PROHIBITED.

# Quick Mount PV<sup>®</sup>

925-478-8269 • [www.quickmountpv.com](http://www.quickmountpv.com) • [info@quickmountpv.com](mailto:info@quickmountpv.com)  
2700 Mitchell Dr., Bldg. 2 • Walnut Creek, CA 94598